



# COVID-19 *LIVE UPDATE*

COVID-19

December 9, 2020

Community Cluster Linked to Sports

FOR UP-TO-DATE  
CASE NUMBERS  
VISIT

**[wechu.org](http://wechu.org)**

# What is a Cluster investigation

A systematic process to:

- Identify an unusual aggregation, real or perceived, of health events that are grouped together in time and space and that are reported to a health agency
- Assess contacts for possible infection with COVID due to similar exposures
- Isolate individuals to prevent further transmission
- Provide appropriate treatment/testing for contacts with COVID



**COVID-19**  
**LIVE UPDATE**  
2020-12-13

# Who are COVID contacts?

Contacts are persons who have shared living space with a person with infectious COVID disease. This might include

- Household contacts
- Friends
- Co-workers
- Others (e.g., cellmates, shelter residents, bunk house residents, LTCHs, retirement homes, schoolmates, etc.)

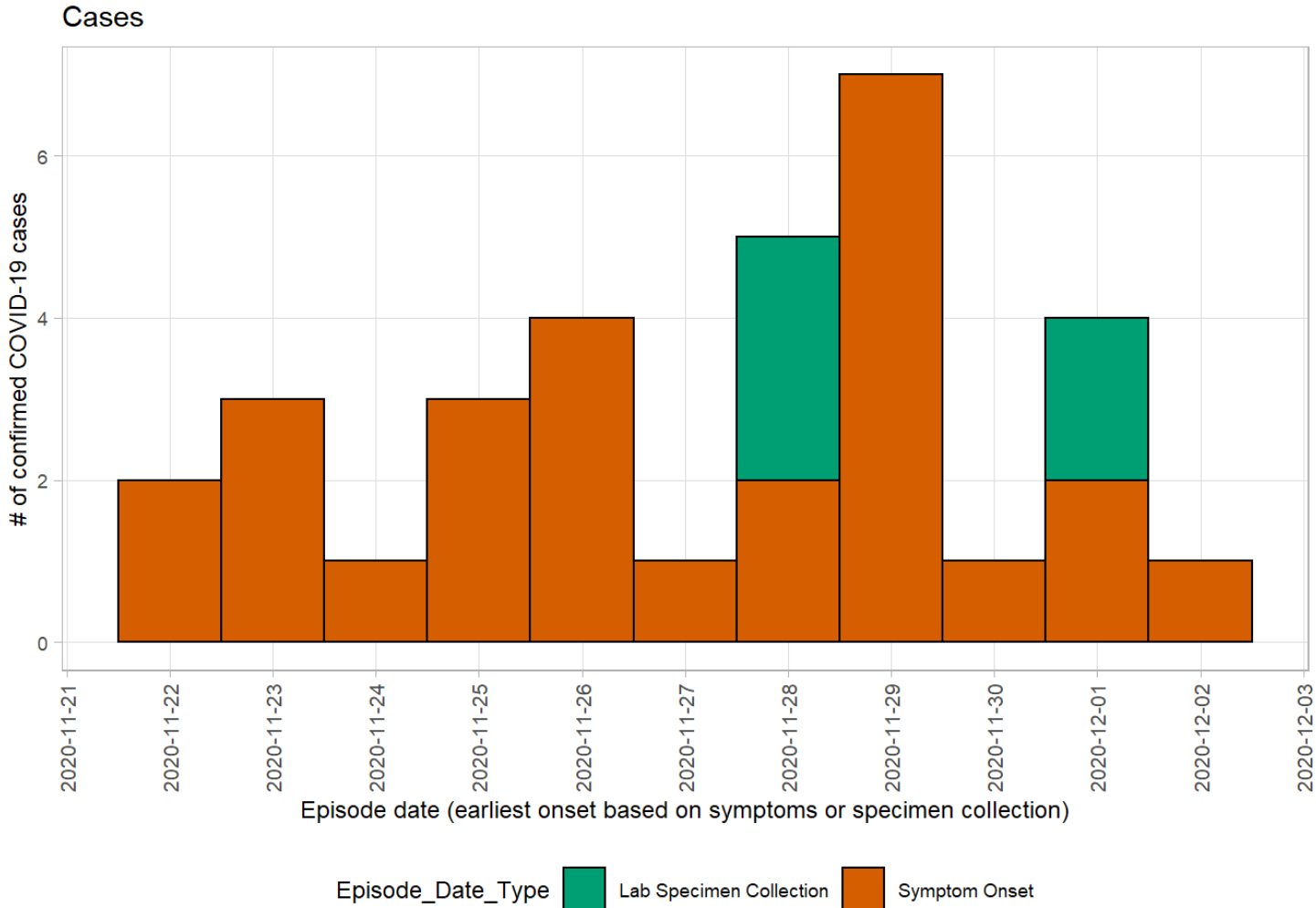


# Summary of Cluster

- Linked with youth athletics community
- Centered around Central Park Athletics
  - Facility located in South Windsor
- 32 confirmed cases linked
  - Sports team practicing at Central Park
  - Affiliated sports academies at Corpus Christi and L'Essor Schools and to their close contacts



# Epidemiological Curve



# Case characteristics

Characteristic		COVID-19 Confirmed Cases (n=32)	%
Age (Years)	10-19	20	62.50%
	20-29	1	3.10%
	40-49	5	15.60%
	50-59	4	12.50%
	60-69	2	6.20%
Municipality	Harrow	2	6.20%
	LaSalle	1	3.10%
	Tecumseh	3	9.40%
	Windsor	25	78.10%
	Unknown	1	3.10%



**COVID-19**  
**LIVE UPDATE**  
 2020-12-13

FOR UP-TO-DATE CASE NUMBERS VISIT [wechu.org](https://wechu.org)

# Schools impacted

School	School Level	# of Cohorts Affected	# of Confirmed Cases		
			Total	Students	Staff
Bellewood Public School	Elementary	1	1	1 (100.00%)	0 (0.00%)
St. Joseph's High School	Secondary	/	1	0 (0.00%)	1 (100.00%)
Riverside High School	Secondary	/	1	0 (0.00%)	1 (100.00%)
LaSalle Public School	Elementary	1	1	1 (100.00%)	0 (0.00%)
Corpus Christi Sports Academy	Elementary	2	8	8 (100.00%)	0 (0.00%)
Ecole Secondaire Catholique l'Essor	Secondary	2	3	2 (66.67%)	1 (33.33%)
St. Anne Secondary School	Secondary	1	1 +1 PUI	1 (100.00%)	0 (0.00%)



# Facilities Impacted

Facility	Other Associated Groups	# of Associated Cases
Central Park Athletics	<ul style="list-style-type: none"> <li>Central Park Athletics Bar</li> <li>Corpus Christi Sports Academy</li> <li>L'Essor Sports Academy?</li> </ul>	20
Capri Pizzeria Recreation Centre	/	3
Libro Centre Arena	/	1
WFCU Centre	/	8
Atlas Tube Centre	/	1
Tecumseh Arena	/	3 +1 PUI
City Church	/	4
Roseland Golf Club	/	1
Rochester Golf Club	/	1
Black Stripe Training	/	2
Powertech Hockey	/	1



**COVID-19**  
**LIVE UPDATE**  
 2020-12-13

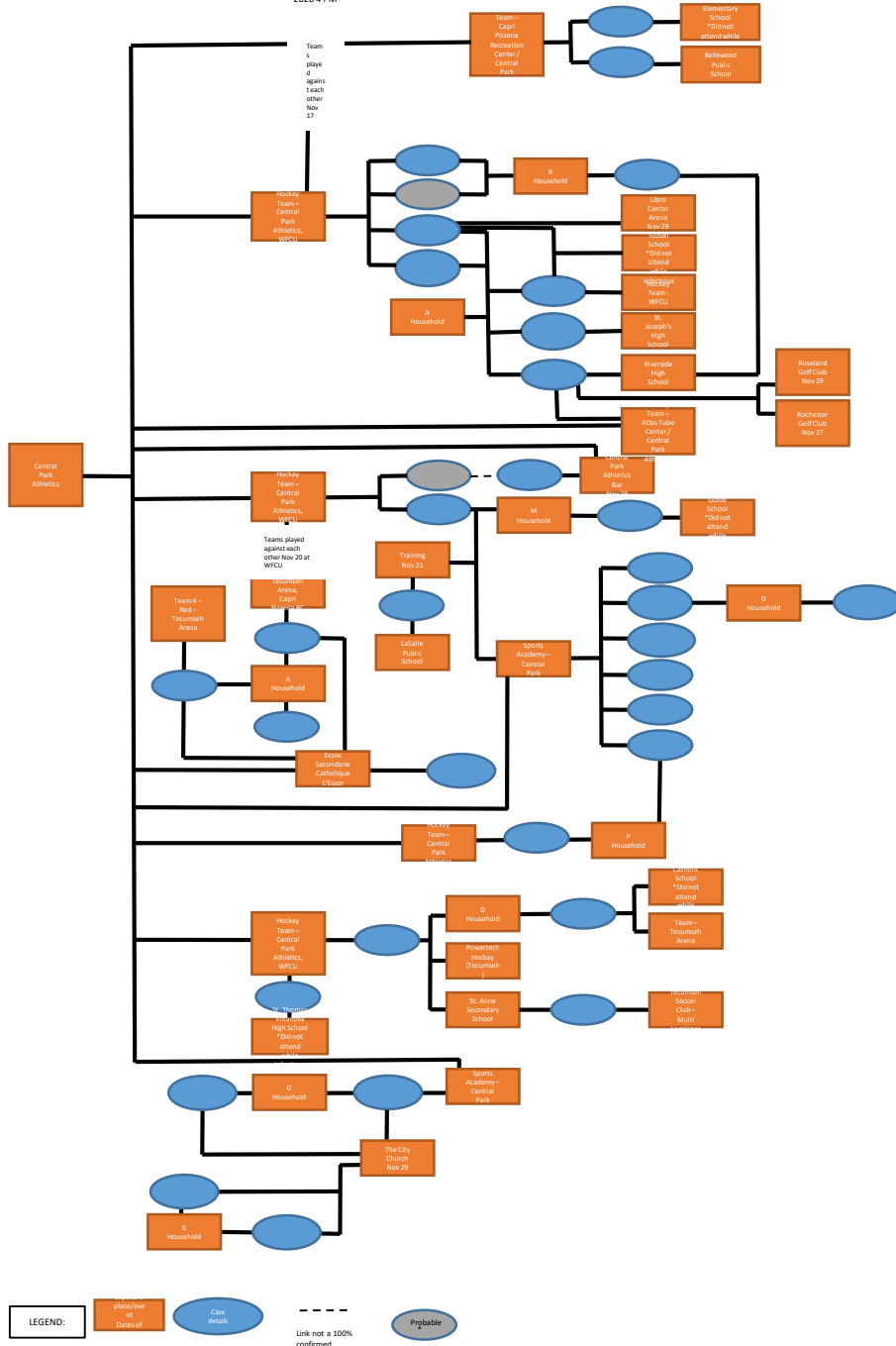


# Transmission Pattern

- Within-Team Transmission
- Between-Team Transmission
- Within-Cohort Transmission
- Within-Facility Transmission
- Within-Household Transmission



**COVID-19**  
**LIVE UPDATE**  
2020-12-13



Thank you to my Epidemiology team for doing the cluster analysis and preparing the epi summary.



**COVID-19**  
**LIVE UPDATE**  
2020-12-13

FOR UP-TO-DATE CASE NUMBERS VISIT [wechu.org](https://wechu.org)